

# FONTANA COMMERCIAL LENOX DUAL AUTOMATIC SENSOR FAUCET WITH SENSOR SOAP DISPENSER INSTALLATION INSTRUCTIONS



## PRIOR TO INSTALLATION

Please read installation instructions below. All plumbing should be installed in accordance with applicable building codes and regulations.

Unpack and inspect the items for any shipping damages. If you find damages, do not install.

All products must be installed by a professional and certified plumber otherwise warranty may be voided.

## POSSIBLE TOOLS REQUIRED\*



Plumbers Tape



Tape Measure



Level



Adjustable Wrench



Hex Wrench



Thread Sealant



Drill



Pencil or Marker



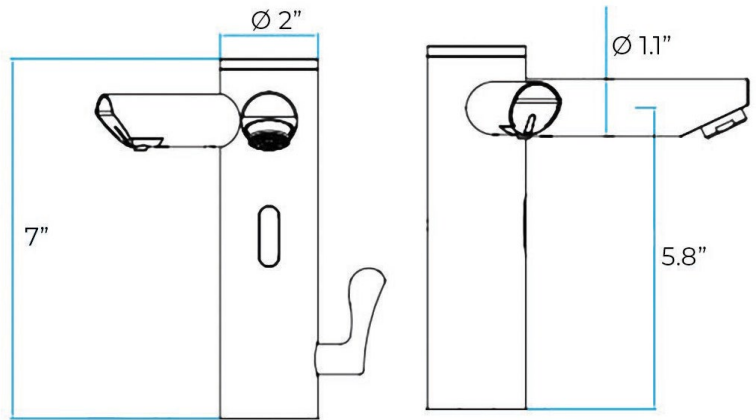
Screwdriver

\*not included

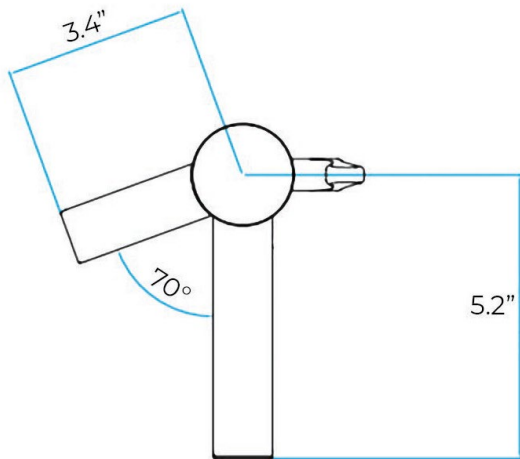
## Technical Information

Power: DC:6V(4AA alkaline battery)  
 AC:220V-240V; 50/60HZ  
 Water Consumption: 0.05Mpa-0.6Mpa  
 Detection Zone: 16-32 cm or adjustable  
 Motor valve lifespan: up to 500000 flushes  
 Battery lifespan: 100000 cycles  
 Static Power Consumption: 0.36mw  
 Working Power consumption: 0.5mw  
 Inductive Opening Time: < 1 second  
 Inductive Closing Time: < 2 second  
 Dia.of inlet / outlet pipe: G1/2"  
 Flux:  $\geq 0.07L/S$   
 Temperature: 0.1-50°C

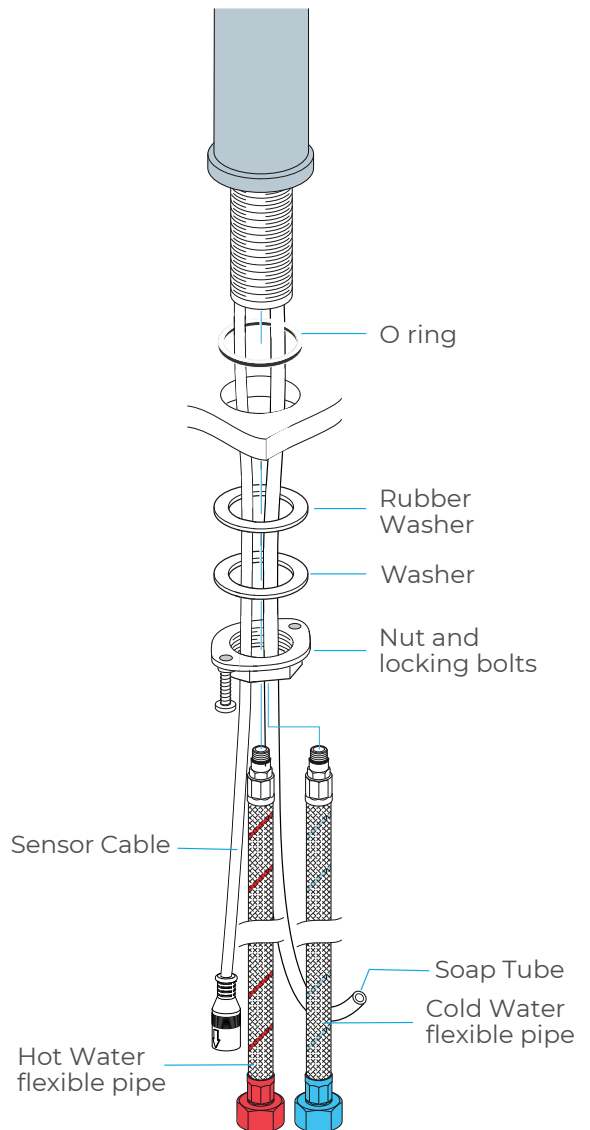
## Faucet Size



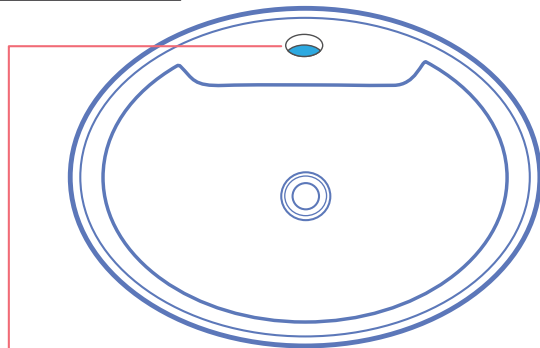
## Size:



## Water Pipe Connection



## Hole Size Chart

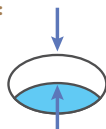


### Pre-drilled hole size requirements:



Min: 1.26"/32mm - Max: 1.38"/35mm

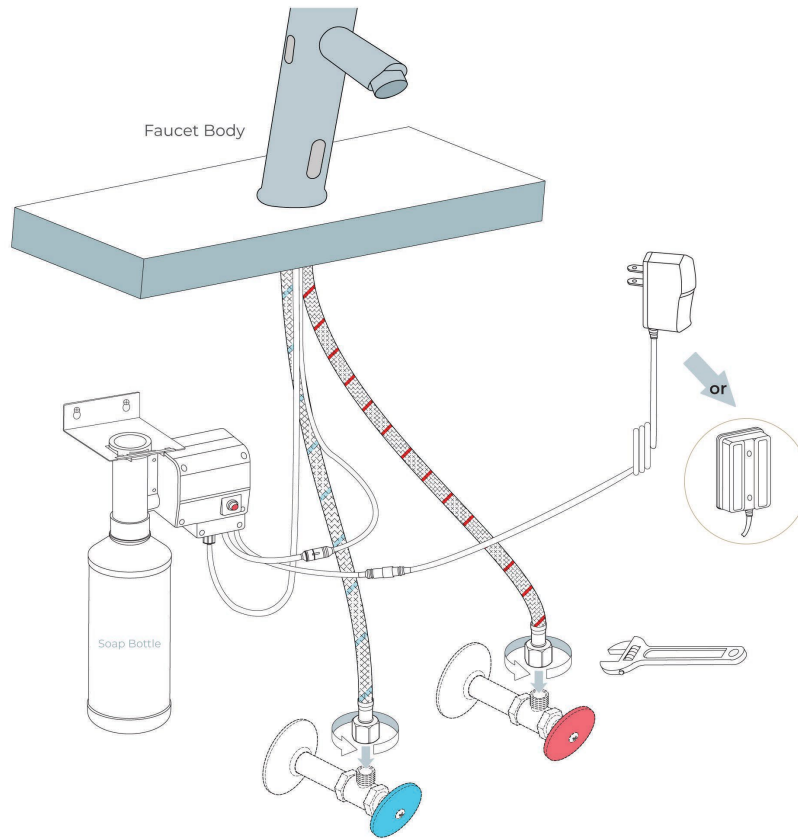
### Max counter top thickness without deck plate:



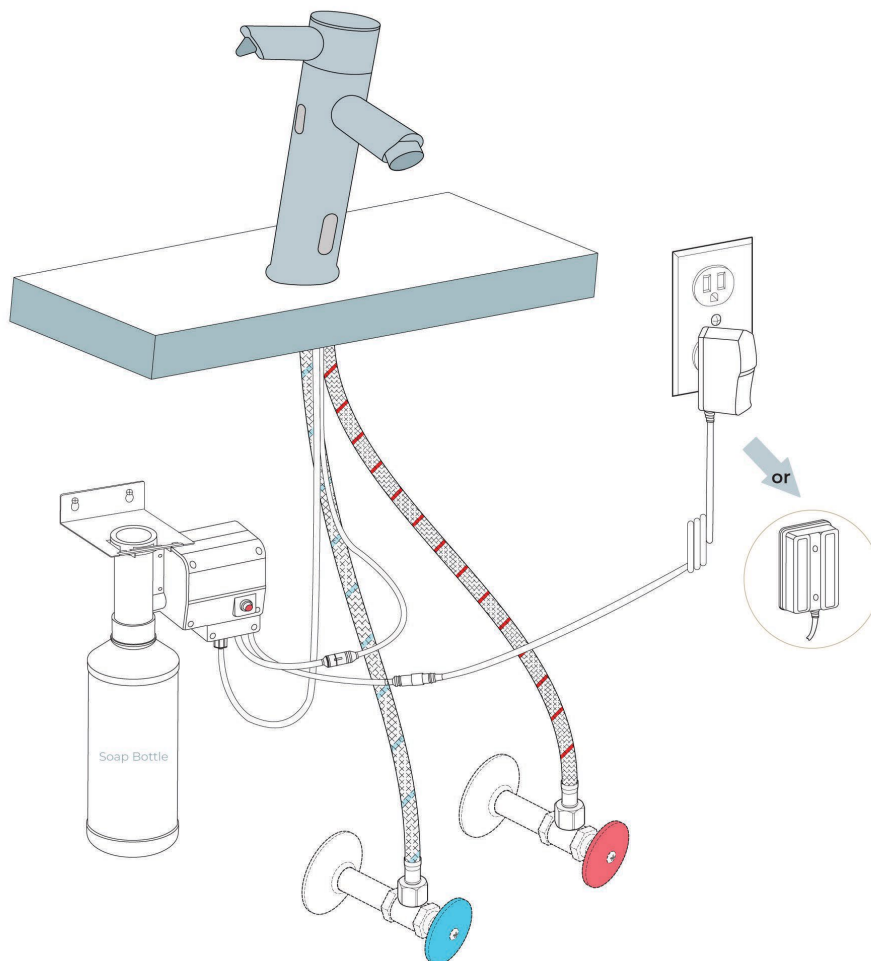
1.38"/35mm

All dimensions and specifications are nominal and may vary. Use actual products for accuracy in critical situations.

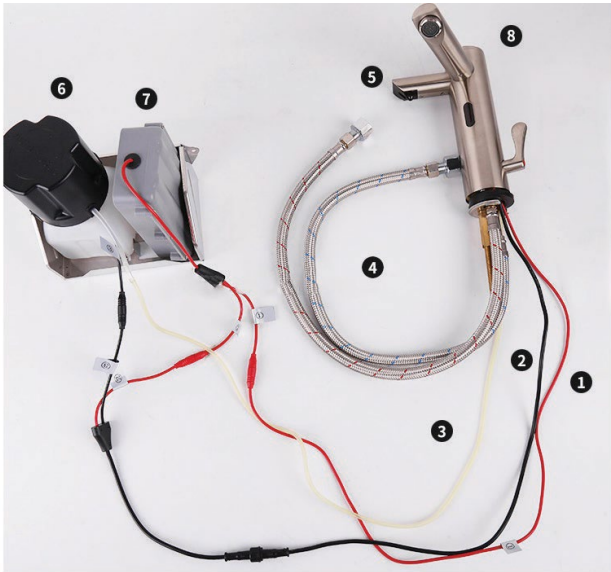
## Step 1:



## Step 2:



## Step 3:



- |                       |                       |                        |
|-----------------------|-----------------------|------------------------|
| 1. Power line         | 4. Tube               | 7. Power supply        |
| 2. Control bus        | 5. Faucet soap outlet | 8. Faucet water outlet |
| 3. Soap delivery Pipe | 6. Soap bottle        |                        |

1. Screw the hose into the corresponding screw-hole of the faucet body. Fix the o-ring into the bottom groove of the faucet body.

2. Insert hose, threaded pipe and data cable through the drilled hole of the countertop. Put rubber washer and metal washer onto the threaded pipe, screwing in mounting nut. Adjust the faucet body correctly and tighten the mounting nut with screws.

3. Install the control box to the faucet.

4. Then connect the battery cable to the control box.

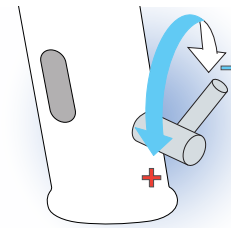
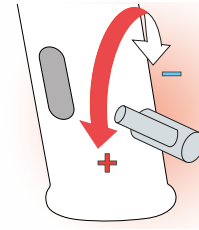
5. Make Connections to water supplies. Turn on the water supply and flush water lines into a container for one minute. Important: This flushes away any debris that could cause damage to internal parts.

6. Connect waterlines to angle stops. Turn on the angle stops and check for leaks (DO NOT TURN FAUCET ON).

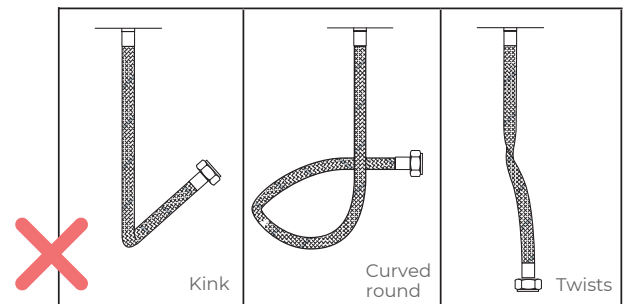
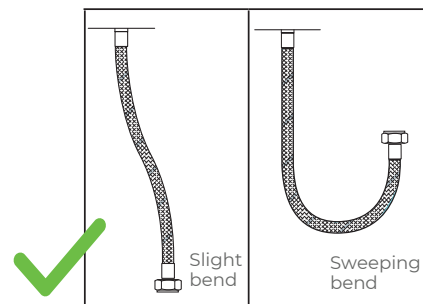
7. Turn the faucet on for 1 minute to flush any debris.

## Temperature Control

Manual temperature control handle allows users to set preferred temperature.



## Waterpipe Instructions



### Flexible Connecting Hose

Care must be taken when connecting the flexible connection hose from the power supply box to the spout to ensure it does not bend sharply and kink or twist. See above for recommended ways to fit the flexible connecting hose.

Important: Failure to follow these guidelines may result in poor performance and damage to the flexible connection hose.

Important: Failure to follow these guidelines may result in poor performance and damage to the flexible connection hose.

## Installation: Deck mounted

Power Supply Options:

- IP67 Dual power input box with a 9V battery (battery not included)

- IP67 Dual power input box with a 9V transformer

Operating pressure: 0.5 - 8.0 bar (7 - 116 PSI). With a pressure over 8 bar, use a pressure reducing valve.

Minimum Sensor Range: 30 mm / 1.18"

Maximum Sensor Range: 120 mm / 4.72"

Water supply: Cold or premixed water

Water-Saving options: 4 LPM / 1.0 GPM - PCA spray

Water temperature: 70°C Maximum

Security Time: Auto shutoff after 90 seconds

## Features:

### More Hygienic

The proximity sensor removes the need to touch the spout, reducing the spread of germs and reducing the chance of cross-infection.

### Battery Override

Your infrared soap dispenser is supplied with a backup battery pack. In the event of a power failure, the product will automatically switch to battery-operated mode to ensure the spout continues to function.

### Low Battery Warning

When the batteries run low and the power falls below 3.9V the sensor light will flicker to indicate the batteries are running low and need replacing.

When the batteries are exhausted the sensor light will not light up.

## Installation

### 1. Fit The Spout

Fit the spout to the sink/basin ensuring the dispensing cable and sensor cable are threaded through the hole in the sink/basin.

### 2. Secure Spout to Sink / Basin

Screw the metal back nut onto the thread of the spout upto the underside of the sink/basin.

Tighten backnut using a suitable spanner.

### 3. Fit Wall Brackets

Position the brackets onto the wall surface and mark the position of the fixing holes.

Remove the brackets and drill suitable holes for the wall plugs supplied.

Before drilling into walls, check that there are no hidden electrical wires, cables or water supply pipes. This can be checked with the aid of an electrical detector:

If power tools are used do not forget to:

- Wear eye protection

- Unplug equipment after use

Fit the wall plugs and position the brackets into position and secure using the screws provided.

### 4. Attach Pump to Bottle

Ensure the dispenser tube is located inside the bottle and push the pump down firmly onto the bottle until a loud 'click' is heard.

To remove the pump from the bottle press the release button in on the side of the pump and pull the pump from the bottle.

## 5. Connect Sensor Cable and Dispenser Cable

Connect the sensor cable from the spout to the sensor cable on the pump. Push the two connections together and tighten the connecting ring to ensure the two connections are locked together.

Connect the dispensing cable from the spout into the top connection on the pump.

Push the threaded connection of the dispensing cable into the connection on the pump and tighten the nut ensuring it is fully tightened.

A suitable spanner may be used to tighten the nut.

## 6. Place Pump into Bracket

The pump has a cut-out section which the wall bracket slots into.

## 7. Connect Power Supply Cable

Before starting any electrical work ensure the power supply is isolated.

Wire the electrical power cable into a switched fused spur off the ring main.

**Important:** The power lead must be permanently connected to the fixed wiring of the mains supply using the factory supplied power cable.

Plug the power cable into the power cable on the pump.

## 8. Inserting Batteries

Remove the battery cover by loosening the screw in the top of the cover.

Insert 4 batteries into the battery box ensuring they are inserted the correct way.

Replace the battery box cover and tighten the screw. Insert the battery box into the holder.

Push the holder into the battery box wall bracket.

## Commissioning

### Commissioning Sequence

Before using the soap dispenser for the first time the following sequence must be carried out.

Fill the bottle full of liquid soap.

Locate the dispense button on the side of the pump. Press and hold the button until soap is dispensed from the spout. This will ensure the dispenser tube and cable are full of liquid soap.

### Selecting Volume Adjustment

The soap dispenser has four dispense volume adjustment settings. Each adjustment setting dispenses a different volume of liquid soap.

To adjust the volume of soap dispensed follow the steps below.

Locate the volume adjustment switches under the rubber cover.

Set the switches to the required position for the desired volume adjustment setting.

Refer to the switch position diagrams.

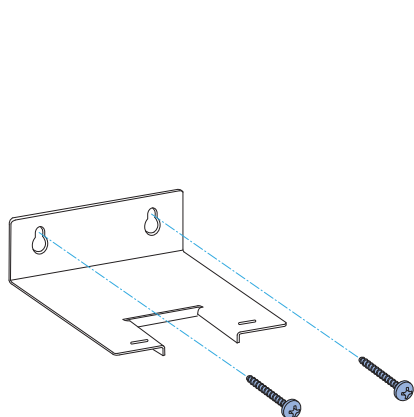
## Operation

### Using the Automatic Soap Dispenser

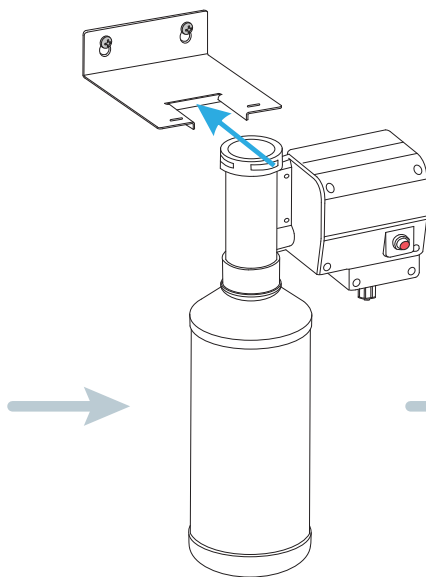
Place the users hands under the spout within the sensing range.

Once the users hands have been detected a small amount of liquid soap will be dispensed from the spout into the users hands.

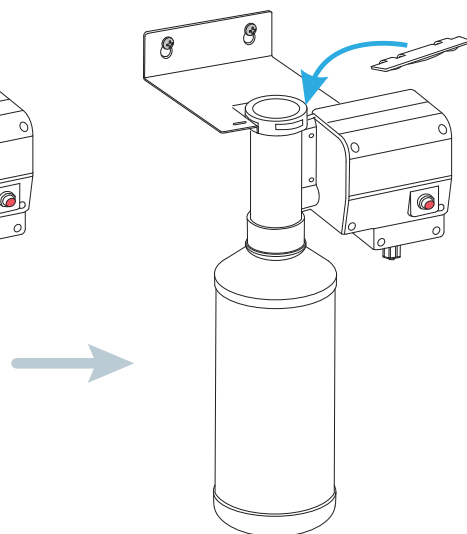
## Installation of Soap Bottle



Install the bracket on the wall

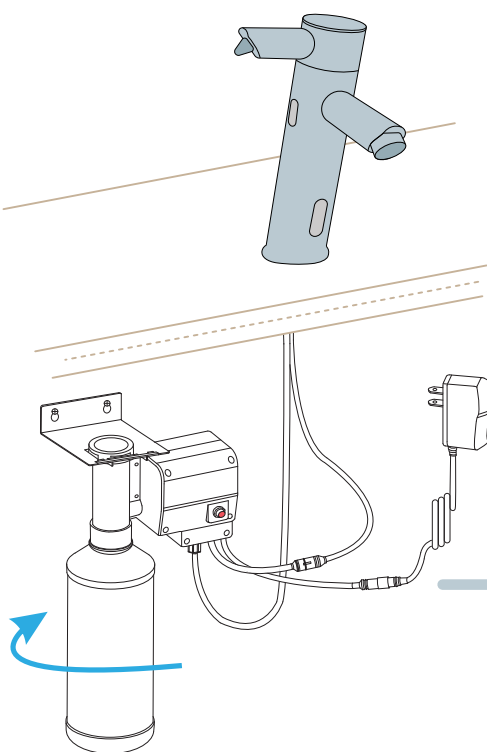


Insert the pump onto the bracket

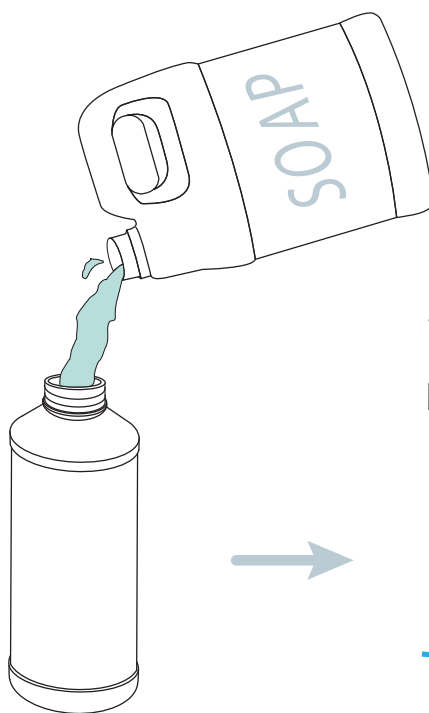


Insert the locking plate into bracket

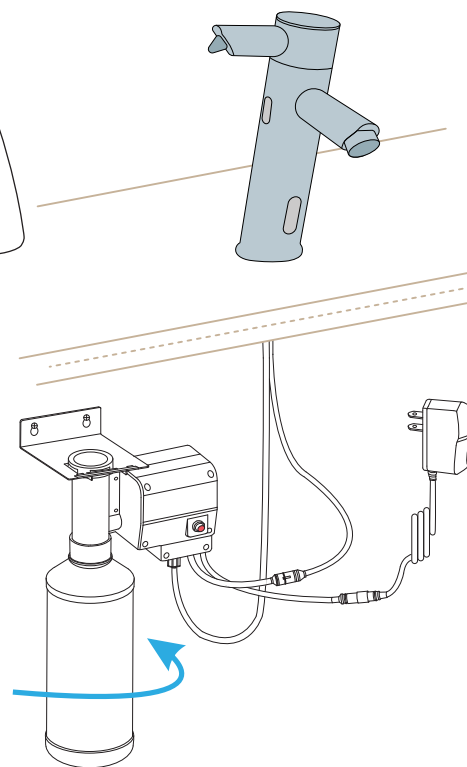
## Soap Refill Process



Unscrew the empty bottle.

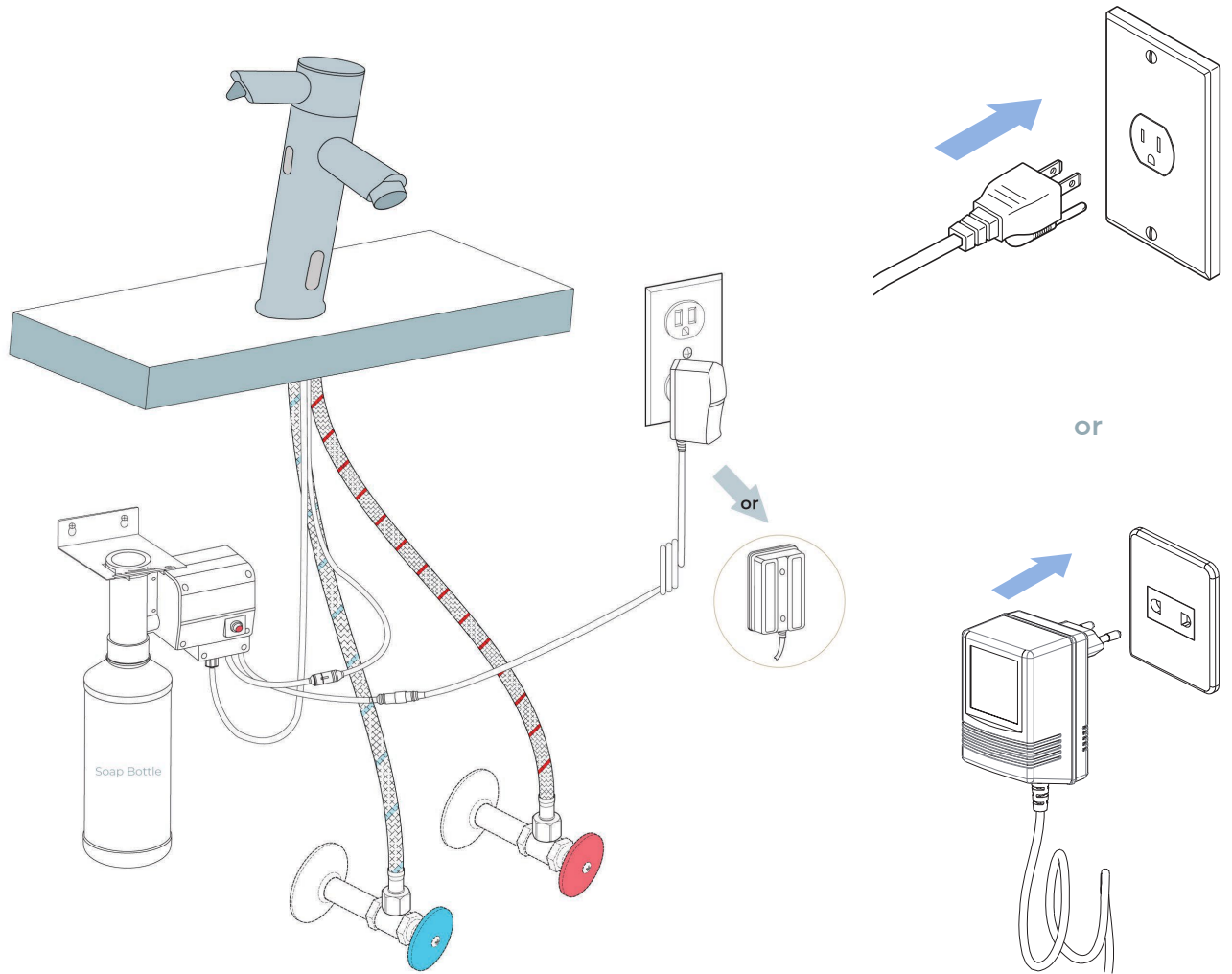


Add soap into the empty bottle.

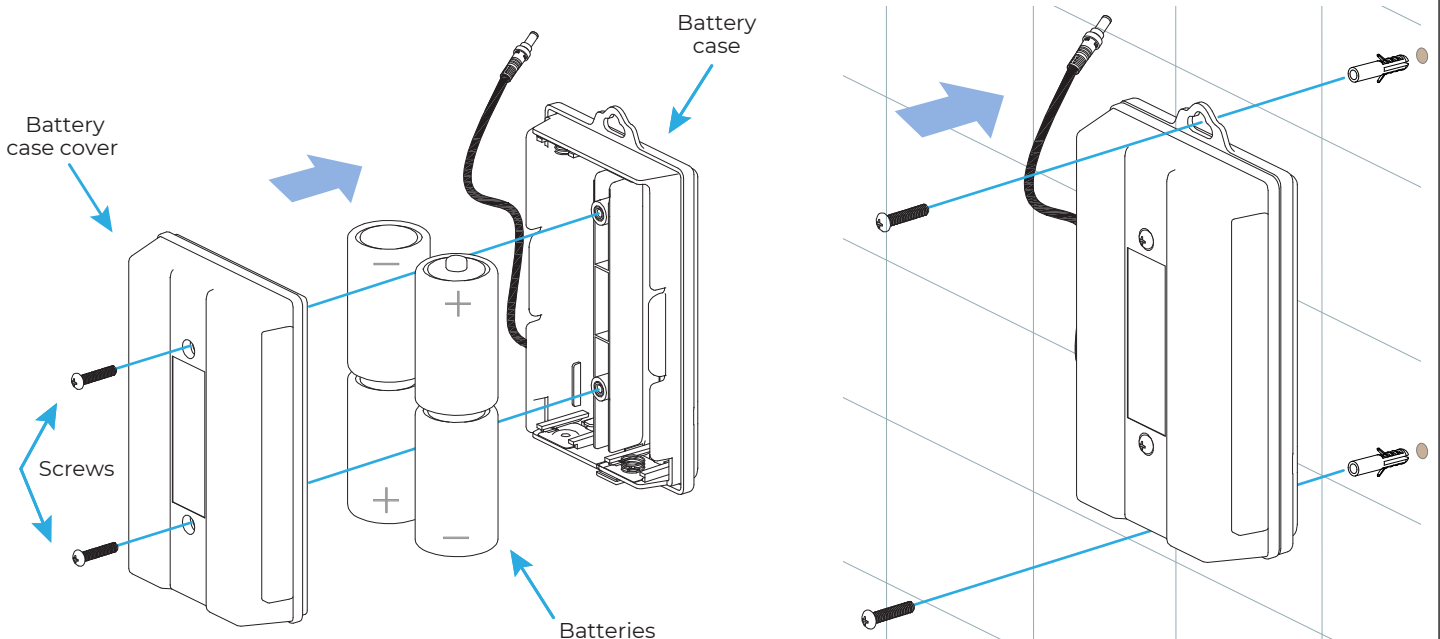


Affix the bottle with full soap onto the pump, and do not over tighten.

## Deck Mounted Faucet

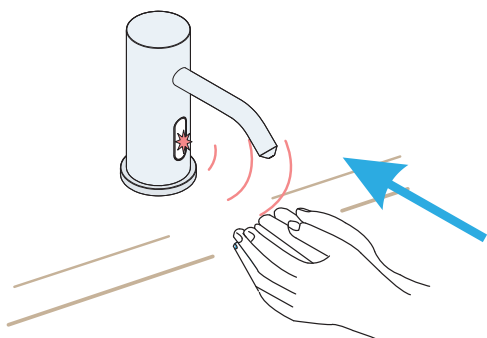
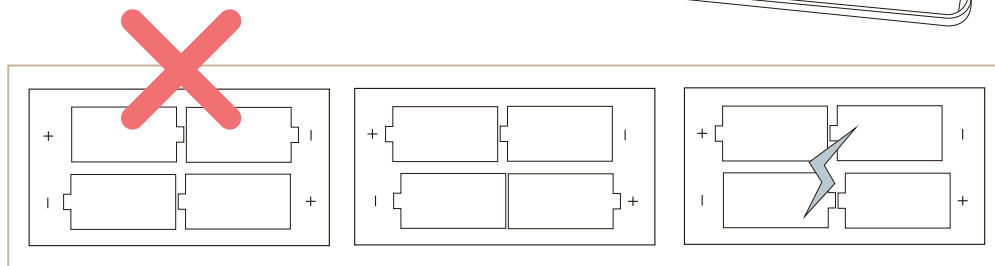
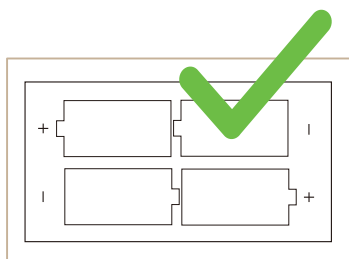
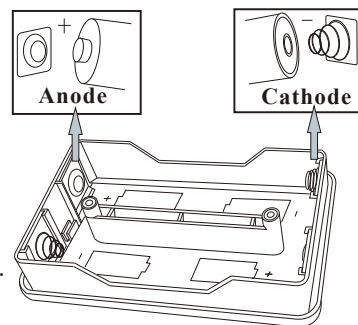


## Battery Box

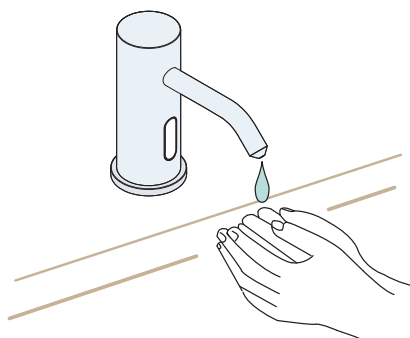




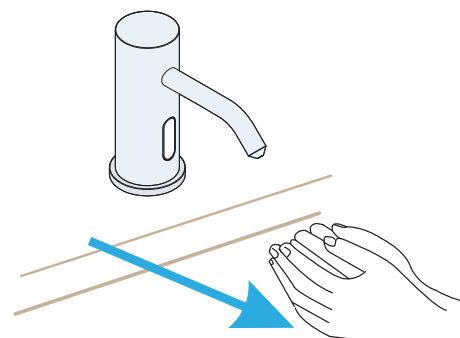
1. Remove cover of battery case.
  2. Install four (4) D size alkaline batteries.  
Note: Make sure the batteries are installed in correct orientation (polarity).
  3. Replace battery case cover.
  4. Tighten screws.
- The standard life cycle time is 2 years, based on average use 2000 times/month.



Place hands immediately under soap spout.

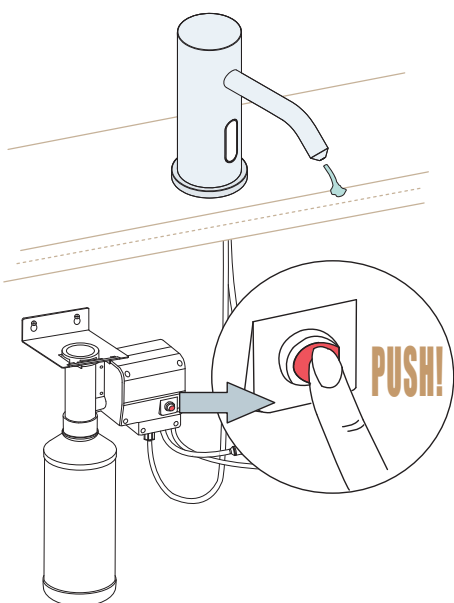


Predetermined amount of soap will dispense

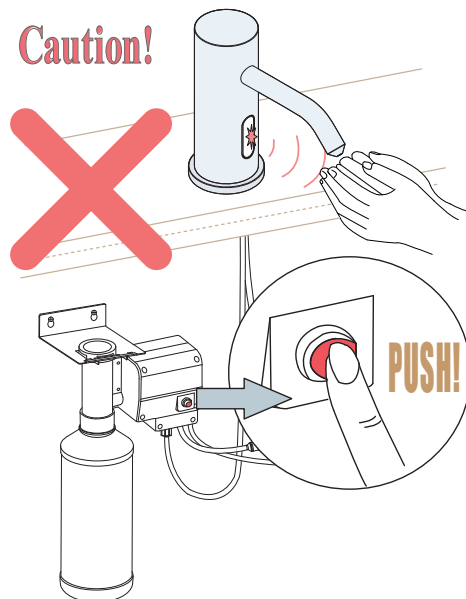
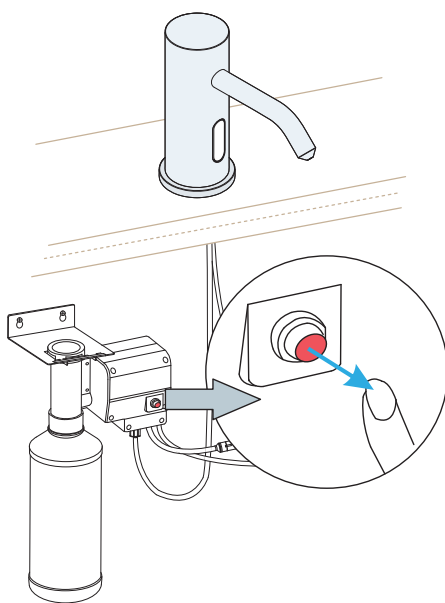


If more soap is needed, remove hands & repeat.

## Usage of Button



When the soap bottle is filled with soap, press the button till soap dispenses out of nozzle.



Do not use the sensor when the button is pressed, because they cannot be used at the same time, as it might lead to the damage to the machine.

## Commissioning Sequence

Before using the soap dispenser for the first time, the following sequence must be carried out.

- Fill the bottle full of soap.
- Locate the dispense button on the side of the pump. Press and hold the button until soap is dispensed from the spout. This will ensure the dispenser tube and cable are full of soap.

## Operation

Place your hand under the spout within the sensing range.

Once the your hand is detected, a small amount of soap will be dispensed from the spout into your hand.

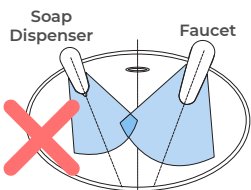
## General Information

Our sensor spouts have a non-touch control which uses infrared sensing technology to detect human presence. Once detected, the spout instantly dispenses water and automatically stops once the user moves their hands away to eliminate unnecessary water wastage, whilst creating a more hygienic washroom solution.

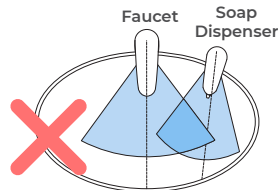
All products manufactured and supplied by Fontana are safe and comply to legislative requirements. Providing they are installed correctly and receive regular maintenance in accordance with these instructions your user experience will not be affected.

## Sensor Faucet & Soap Dispenser Installation

### Incorrect Placement

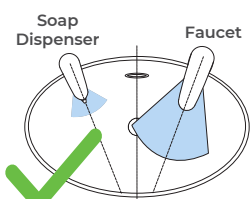


Keep sensor range adjustment within 4 inches away from center of spout. This can only be done with optional remote control.

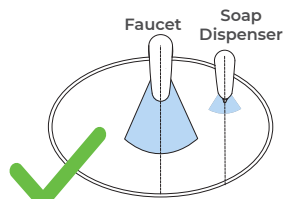


Installing electronic soap dispenser & faucet with intersecting centerline might lead to accidental activation of either or both.

### Correct Placement



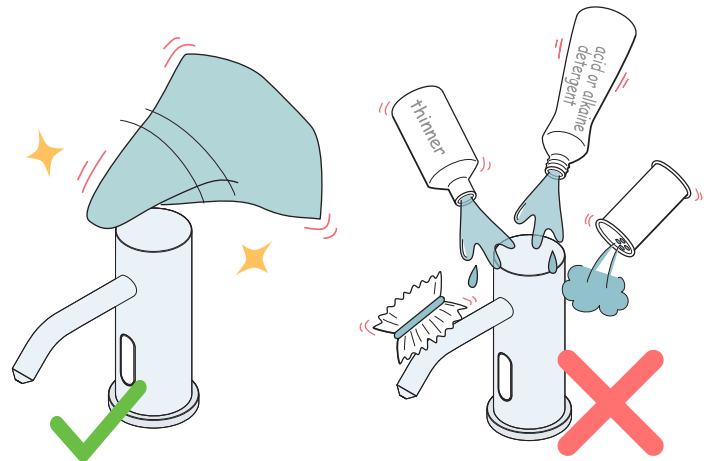
Keep sensor ranges factory preset.



Keep soap spout & faucet centerline parallel.

## Care & Cleaning

- Always wipe your fixture down with a soft cloth after each use to prevent mineral build-up and water-spotting. Should spotting occur, remove water spots with warm water and a soft, damp cloth.
- Wipe away any debris adhering to the spout or sensor.
- Wipe away debris with a damp cloth containing a suitable amount of a neutral, dishwashing detergent. Then wipe clean with a damp cloth.
- When cleaning around the sensor, please be careful not to scratch the surface of the sensor window.
- Do not use detergent that might damage the surface of spout. These include:
  - Detergents containing acid, chlorine bleach or alkali.
  - Detergents that are coarse granules in nature, such as polishing powder.
  - Solvents such as paint thinner or benzene.
  - Abrasive aids such as nylon scrubbers/brushes, steel wool, etc.



## Hygienic

The proximity sensor faucet removes the need to touch the faucet body, reducing the spread of germs and the chance of cross-contamination.